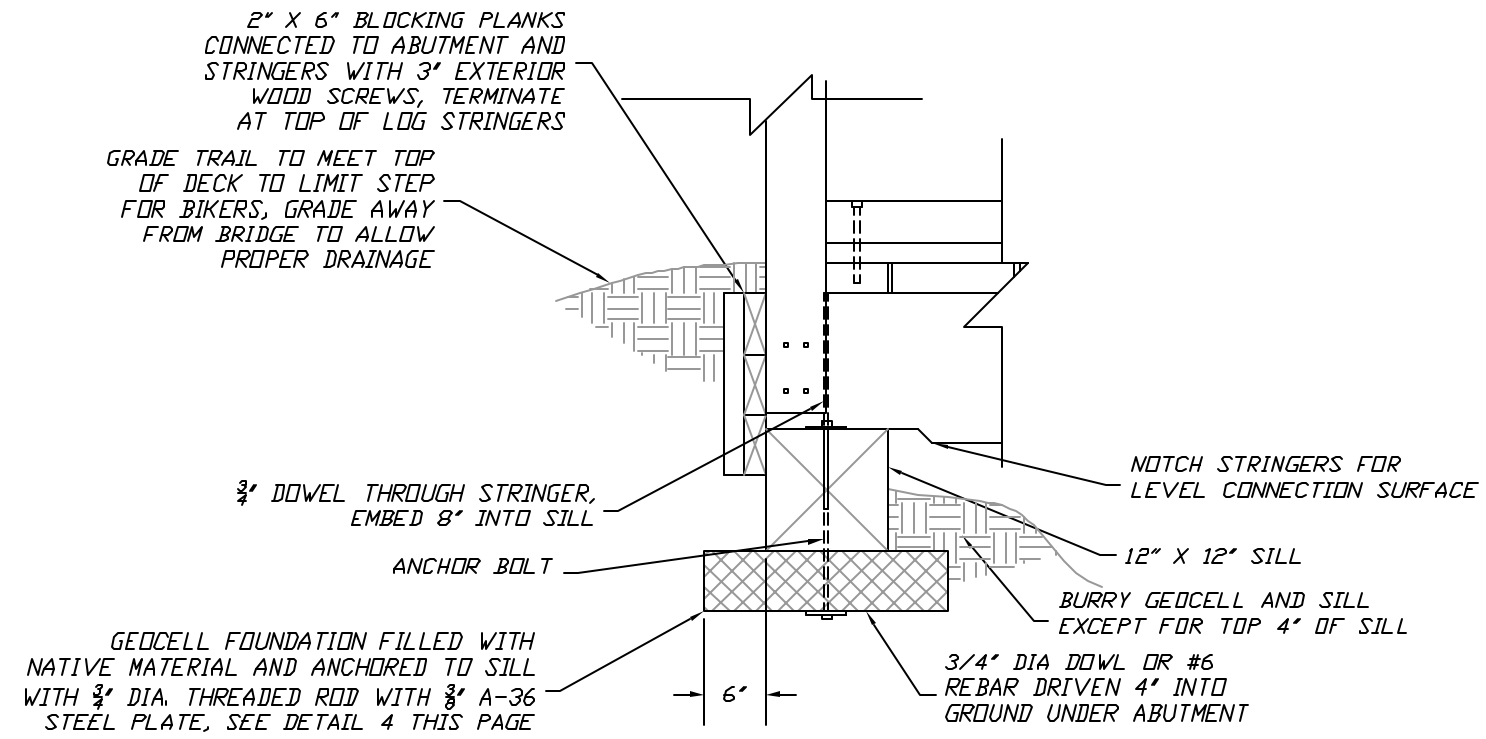
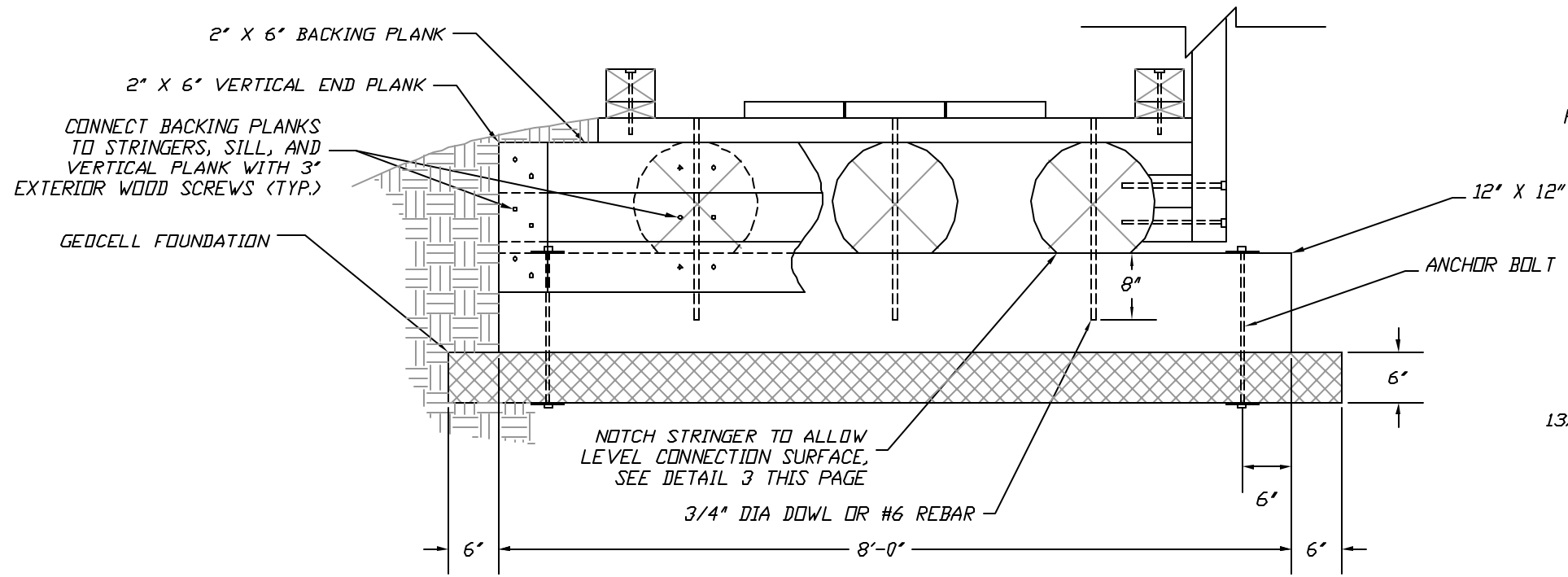


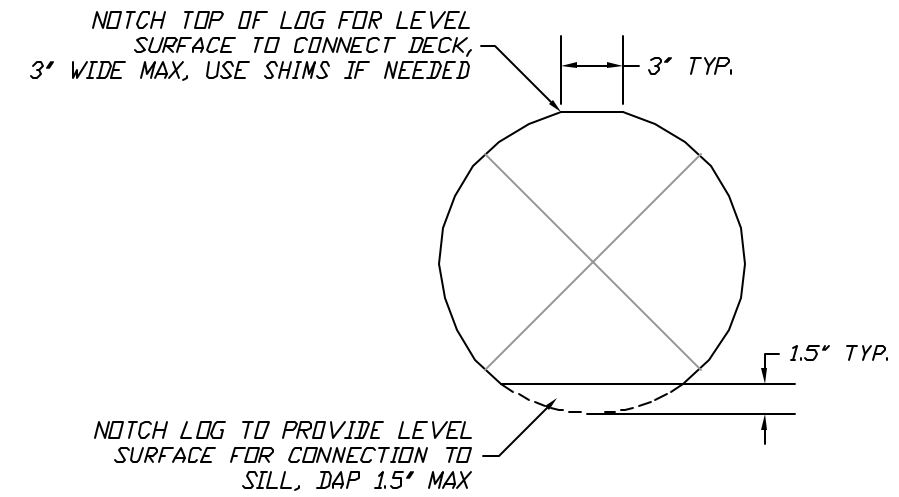
C:\Land Projects 2006\LITTLE RAVEN TRAIL BRIDGE 802.1 DRAWINGS\dwg\BRIDGE.dwg 6/18/2008 8:44:27 AM MDT



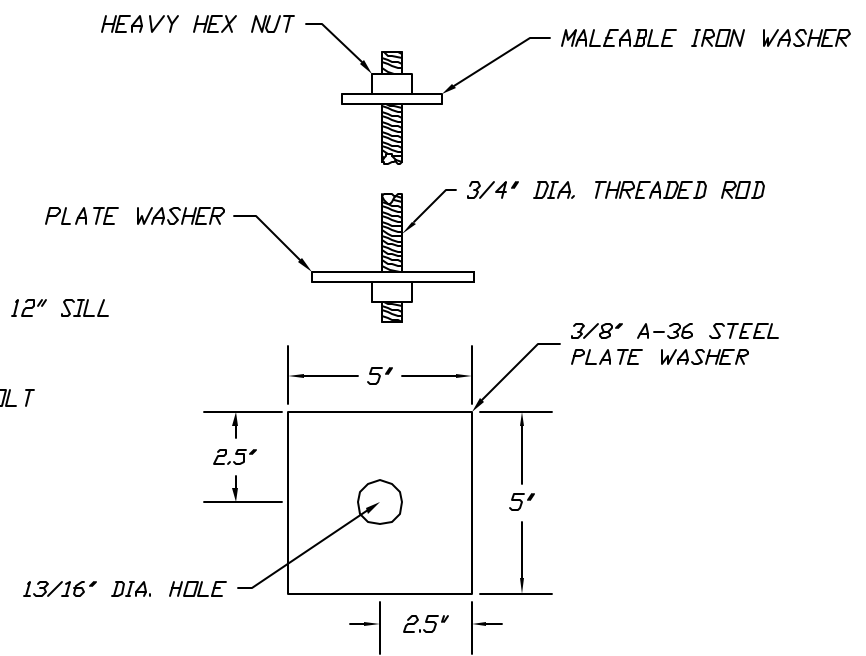
1 ABUTMENT PROFILE VIEW
NOT TO SCALE



2 ABUTMENT CROSS SECTION VIEW
NOT TO SCALE



3 LOG STRINGER NOTCHING DETAIL
NOT TO SCALE



4 ANCHOR BOLT DETAIL
NOT TO SCALE

U.S. DEPARTMENT OF AGRICULTURE
FOREST SERVICE
R-2
ROCKY MOUNTAIN REGION

Drawn: B. JESSIE
Design: B. JESSIE
Checked: J. RUBAL

TITLE	PROJECT
MISC. DETAILS 2	LITTLE RAVEN TRAIL BRIDGE
ARAPAHO & ROOSEVELT NATIONAL FOREST	
FILE NAME: \SITE PLOT SCALE: NOT TO SCALE	

SHEET NO.
6 of 7